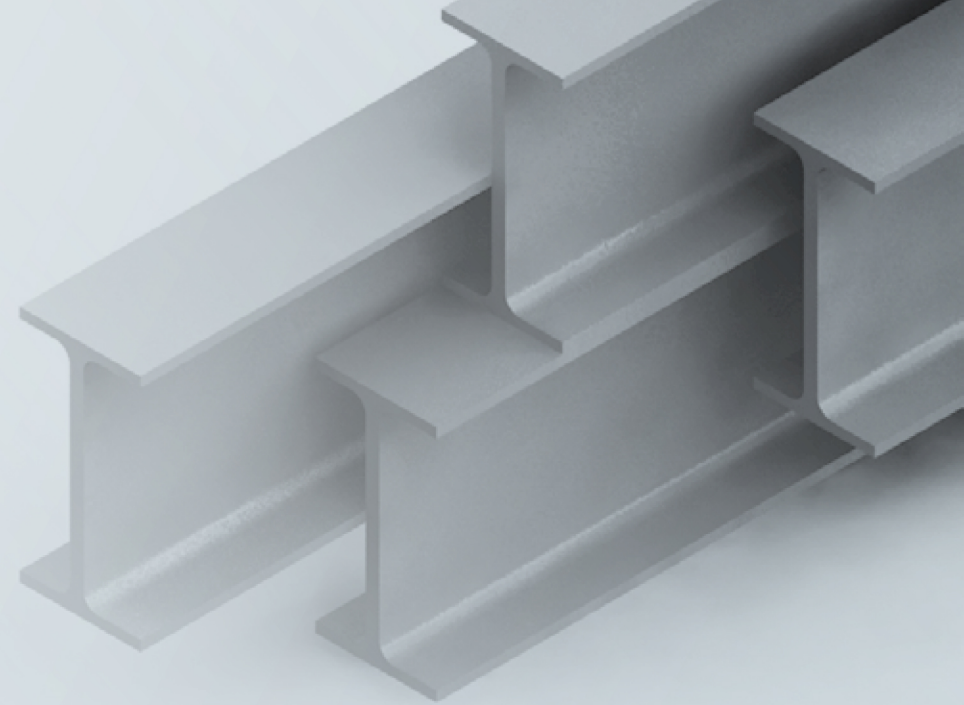
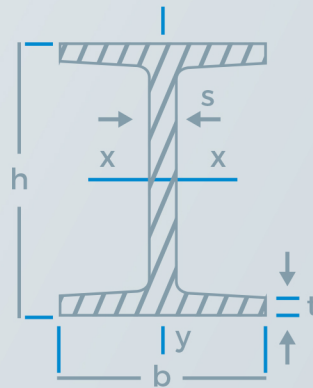


IPE PROFILES

› Range of the size

	h	b	s	t
IPE 80	80	46	3.8	5.2 mm
IPE 100	100	55	4.1	5.7 mm
IPE 120	120	64	4.4	6.3 mm
IPE 140	140	73	4.7	6.9 mm
IPE 160	160	82	5.0	7.4 mm
IPE 180	180	91	5.3	8.0 mm
IPE 200	200	100	5.6	8.5 mm
IPE 220	220	110	5.9	9.2 mm
IPE 240	240	120	6.2	9.8 mm
IPE 270	270	135	6.6	10.2 mm
IPE 300	300	150	7.1	10.7 mm
IPE 330	330	160	7.5	11.5 mm
IPE 360	360	170	8.0	12.7 mm
IPE 400	400	180	8.6	13.5 mm
IPE 450	450	190	9.4	14.6 mm
IPE 500	500	200	10.2	16.0 mm
IPE 550	550	210	11.1	17.2 mm



Quality

S275JR EN10025 or ASTM A36

Rolling Tolerances

DIN 1025 - 5

i Inch sizes are available.
Please ask for other steel size and qualities.