

## HEA PROFILES

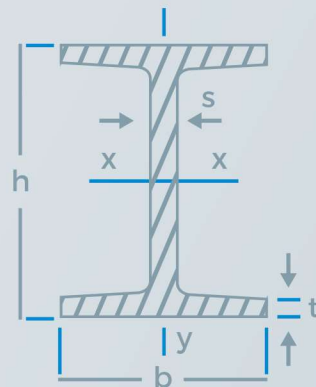
› Range of the size

	h	b	s	t
HEA 100	96	100	5.0	8.0 mm
HEA 120	114	120	5.0	8.0 mm
HEA 140	133	140	5.5	8.5 mm
HEA 160	152	160	6.0	9.0 mm
HEA 180	171	180	6.0	9.5 mm
HEA 200	190	200	6.5	10.0 mm
HEA 220	210	220	7.0	11.0 mm
HEA 240	230	240	7.5	12.0 mm
HEA 260	250	260	7.5	12.5 mm
HEA 280	270	280	8.0	13.0 mm
HEA 300	290	300	8.5	14.0 mm

## HEB PROFILES

› Range of the size

	h	b	s	t
HEB 100	100	100	6.0	10.0 mm
HEB 120	120	120	6.5	11.0 mm
HEB 140	140	140	7.0	12.0 mm
HEB 160	160	160	8.0	13.0 mm
HEB 180	180	180	8.5	14.0 mm
HEB 200	200	200	9.0	15.0 mm
HEB 220	220	220	9.5	16.0 mm
HEB 240	240	240	10.0	17.0 mm
HEB 260	260	260	10.0	17.5 mm
HEB 280	280	280	10.5	18.0 mm
HEB 300	300	300	11.0	9.0 mm



### Quality

S275JR EN10025 or ASTM A36

### Rolling Tolerances

HEA: DIN 1025 - 3 // HEB: DIN 1025 - 2

**i** Inch sizes are available.  
Please ask for other steel size and qualities.